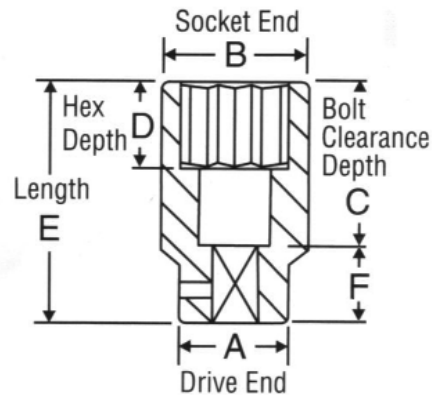
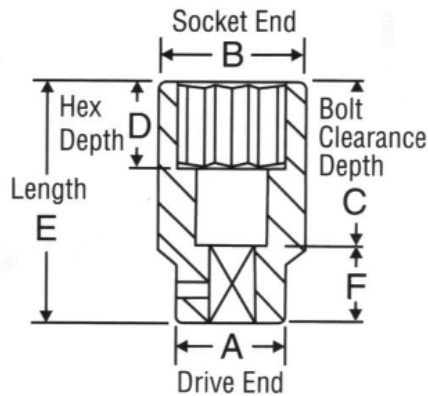


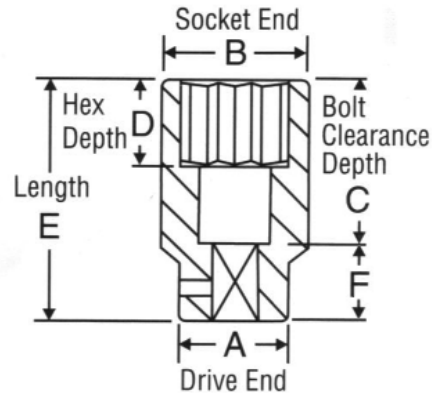
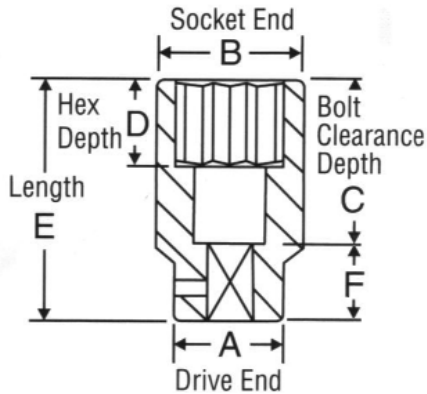
Chrome Socket Dimensions



Part No.	A	B	C	D	E	F
KTI-21106	0.472	0.307	0.650	0.138	0.984	0.335
KTI-21107	0.472	0.346	0.650	0.157	0.984	0.335
KTI-21108	0.472	0.390	0.650	0.157	0.984	0.335
KTI-21109	0.472	0.429	0.650	0.177	0.984	0.335
KTI-21110	0.472	0.472	0.650	0.197	0.984	0.335
KTI-21111	0.512	0.512	0.650	0.197	0.984	0.335
KTI-21112	0.551	0.551	0.650	0.197	0.984	0.335
KTI-21114	0.630	0.630	0.650	0.315	0.984	0.335
KTI-21116	0.709	0.709	0.650	0.354	0.984	0.335
KTI-21118	0.787	0.787	0.650	0.394	0.984	0.335
KTI-21206	0.472	0.303	1.614	0.197	1.949	0.335
KTI-21207	0.472	0.343	1.614	0.197	1.949	0.335
KTI-21208	0.472	0.382	1.614	0.197	1.949	0.335
KTI-21209	0.472	0.425	1.614	0.197	1.949	0.335
KTI-21210	0.472	0.472	1.614	0.236	1.949	0.335
KTI-21211	0.512	0.512	1.614	0.236	1.949	0.335
KTI-21212	0.571	0.571	1.614	0.236	1.949	0.335
KTI-21214	0.630	0.630	1.614	0.315	1.949	0.335
KTI-21216	0.697	0.697	1.614	0.354	1.949	0.335
KTI-21218	0.776	0.776	1.614	0.433	1.949	0.335
KTI-22110	0.665	0.457	0.728	0.197	1.181	0.453
KTI-22112	0.665	0.555	0.728	0.236	1.181	0.453
KTI-22114	0.661	0.661	0.728	0.276	1.181	0.453
KTI-22116	0.701	0.701	0.728	0.315	1.181	0.453
KTI-22118	0.778	0.778	0.728	0.394	1.181	0.453
KTI-22120	0.858	0.858	0.728	0.433	1.181	0.453
KTI-22122	0.943	0.943	0.728	0.433	1.181	0.453
KTI-22124	1.012	1.012	0.728	0.551	1.181	0.453
KTI-22126	1.100	1.100	0.728	0.551	1.181	0.453
KTI-22128	1.179	1.179	0.728	0.551	1.181	0.453
KTI-22130	1.258	1.258	0.728	0.551	1.181	0.453
KTI-22132	1.337	1.337	0.728	0.551	1.181	0.453
KTI-22212	0.665	0.555	2.028	0.236	2.480	0.453
KTI-22214	0.661	0.661	2.028	0.276	2.480	0.453
KTI-22216	0.740	0.740	2.028	0.315	2.480	0.453
KTI-22218	0.778	0.778	2.028	0.394	2.480	0.453
KTI-22220	0.858	0.858	2.028	0.433	2.480	0.453
KTI-22222	0.943	0.943	2.028	0.433	2.480	0.453
KTI-22224	1.022	1.022	2.028	0.551	2.480	0.453
KTI-22226	1.100	1.100	2.028	0.551	2.480	0.453
KTI-22228	1.179	1.179	2.028	0.551	2.480	0.453
KTI-22230	1.258	1.258	2.028	0.551	2.480	0.453
KTI-22232	1.337	1.337	2.028	0.551	2.480	0.453
KTI-22508	0.665	0.386	0.728	0.157	1.181	0.453
KTI-22510	0.665	0.457	0.728	0.197	1.181	0.453
KTI-22512	0.665	0.555	0.728	0.236	1.181	0.453

Part No.	A	B	C	D	E	F
KTI-22514	0.661	0.661	0.728	0.276	1.181	0.453
KTI-22516	0.701	0.701	0.728	0.315	1.181	0.453
KTI-22518	0.778	0.778	0.728	0.394	1.181	0.453
KTI-22520	0.858	0.858	0.728	0.433	1.181	0.453
KTI-22522	0.943	0.943	0.728	0.433	1.181	0.453
KTI-22524	1.012	1.012	0.728	0.551	1.181	0.453
KTI-22526	1.100	1.100	0.728	0.551	1.181	0.453
KTI-22528	1.179	1.179	0.728	0.551	1.181	0.453
KTI-22530	1.258	1.258	0.728	0.551	1.181	0.453
KTI-22532	1.337	1.337	0.728	0.551	1.181	0.453
KTI-22408	0.665	0.386	2.028	0.157	2.480	0.453
KTI-22410	0.665	0.457	2.028	0.197	2.480	0.453
KTI-22412	0.665	0.555	2.028	0.236	2.480	0.453
KTI-22414	0.661	0.661	2.028	0.276	2.480	0.453
KTI-22416	0.740	0.740	2.028	0.315	2.480	0.453
KTI-22418	0.778	0.778	2.028	0.394	2.480	0.453
KTI-22420	0.858	0.858	2.028	0.433	2.480	0.453
KTI-22422	0.943	0.943	2.028	0.433	2.480	0.453
KTI-22424	1.022	1.022	2.028	0.551	2.480	0.453
KTI-22426	1.100	1.100	2.028	0.551	2.480	0.453
KTI-22428	1.179	1.179	2.028	0.551	2.480	0.453
KTI-22430	1.258	1.258	2.028	0.551	2.480	0.453
KTI-22432	1.337	1.337	2.028	0.551	2.480	0.453
KTI-23112	0.866	0.575	0.846	0.354	1.496	0.650
KTI-23114	0.866	0.713	0.846	0.433	1.496	0.650
KTI-23116	0.866	0.748	0.846	0.433	1.496	0.650
KTI-23118	0.866	0.811	0.846	0.433	1.496	0.650
KTI-23120	0.866	0.866	0.846	0.551	1.496	0.650
KTI-23122	0.945	0.945	0.846	0.551	1.496	0.650
KTI-23124	0.945	1.024	0.846	0.591	1.496	0.650
KTI-23126	0.984	1.102	0.846	0.591	1.496	0.650
KTI-23128	0.984	1.181	0.925	0.709	1.575	0.650
KTI-23130	1.024	1.299	0.925	0.709	1.575	0.650
KTI-23132	1.024	1.378	1.004	0.709	1.654	0.650
KTI-23134	1.102	1.417	1.122	0.827	1.772	0.650
KTI-23136	1.102	1.535	1.122	0.906	1.772	0.650
KTI-23140	1.102	1.654	1.122	0.906	1.772	0.650
KTI-23142	1.732	1.811	1.319	0.984	1.969	0.650
KTI-23144	1.732	1.890	1.319	0.984	1.969	0.650
KTI-23146	1.732	1.969	1.319	0.984	1.969	0.650
KTI-23148	1.732	2.047	1.319	0.984	1.969	0.650
KTI-23214	0.866	0.705	2.362	0.433	3.012	0.650
KTI-23216	0.866	0.744	2.362	0.433	3.012	0.650
KTI-23218	0.866	0.807	2.362	0.433	3.012	0.650
KTI-23220	0.866	0.866	2.362	0.551	3.012	0.650
KTI-23222	0.945	0.945	2.362	0.551	3.012	0.650

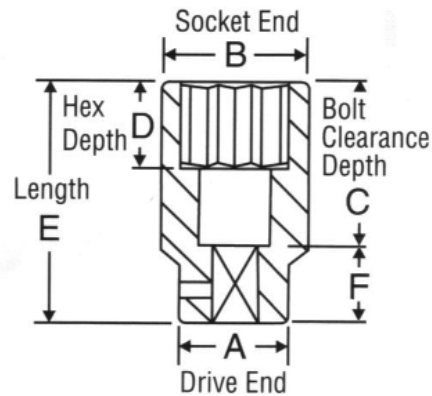
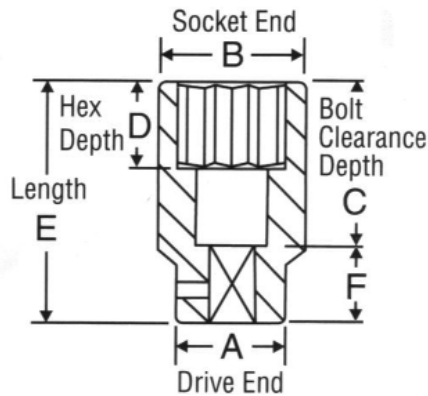
Chrome Socket Dimensions



Part No.	A	B	C	D	E	F
KTI-23224	1.024	1.024	2.362	0.709	3.012	0.650
KTI-23226	1.096	1.096	2.362	0.709	3.012	0.650
KTI-23228	1.181	1.181	2.362	0.709	3.012	0.650
KTI-23230	1.260	1.260	2.362	0.709	3.012	0.650
KTI-23232	1.333	1.333	2.362	0.709	3.012	0.650
KTI-23234	1.417	1.417	2.362	0.827	3.012	0.650
KTI-23236	1.496	1.496	2.362	0.906	3.012	0.650
KTI-23240	1.732	1.732	2.362	0.906	3.012	0.650
KTI-23242	1.732	1.811	2.362	0.984	3.012	0.650
KTI-23244	1.732	1.890	2.362	0.984	3.012	0.650
KTI-23246	1.732	1.929	2.362	0.984	3.012	0.650
KTI-26104	0.467	0.268	0.650	0.079	0.984	0.335
KTI-26105	0.467	0.315	0.650	0.098	0.984	0.335
KTI-26155	0.467	0.343	0.650	0.118	0.984	0.335
KTI-26106	0.467	0.366	0.650	0.138	0.984	0.335
KTI-26107	0.467	0.425	0.650	0.157	0.984	0.335
KTI-26108	0.467	0.467	0.650	0.197	0.984	0.335
KTI-26109	0.565	0.565	0.650	0.236	0.984	0.335
KTI-26110	0.565	0.565	0.650	0.236	0.984	0.335
KTI-26111	0.624	0.624	0.650	0.276	0.984	0.335
KTI-26112	0.663	0.663	0.650	0.315	0.984	0.335
KTI-26113	0.703	0.703	0.650	0.315	0.984	0.335
KTI-26114	0.776	0.776	0.650	0.394	0.984	0.335
KTI-26115	0.827	0.827	0.650	0.591	0.984	0.335
KTI-26255	0.472	0.335	1.614	0.177	1.949	0.335
KTI-26206	0.472	0.358	1.614	0.205	1.949	0.335
KTI-26207	0.472	0.421	1.614	0.236	1.949	0.335
KTI-26208	0.472	0.472	1.614	0.295	1.949	0.335
KTI-26209	0.512	0.512	1.614	0.295	1.949	0.335
KTI-26210	0.567	0.567	1.614	0.354	1.949	0.335
KTI-26211	0.665	0.665	1.614	0.472	1.949	0.335
KTI-26212	0.709	0.709	1.614	0.472	1.949	0.335
KTI-26213	0.776	0.776	1.614	0.591	1.949	0.335
KTI-26214	0.827	0.827	1.614	0.591	1.949	0.335
KTI-26215	0.827	0.827	1.614	0.591	1.949	0.335
KTI-27107	0.665	0.421	0.728	0.157	1.181	0.453
KTI-27108	0.665	0.469	0.728	0.197	1.181	0.453
KTI-27109	0.665	0.520	0.728	0.197	1.181	0.453
KTI-27110	0.665	0.567	0.728	0.236	1.181	0.453
KTI-27111	0.665	0.618	0.728	0.276	1.181	0.453
KTI-27112	0.665	0.665	0.728	0.315	1.181	0.453
KTI-27113	0.701	0.701	0.728	0.315	1.181	0.453
KTI-27114	0.776	0.776	0.728	0.394	1.181	0.453
KTI-27115	0.827	0.827	0.728	0.394	1.181	0.453
KTI-27116	0.858	0.858	0.728	0.394	1.181	0.453
KTI-27117	0.937	0.937	0.728	0.394	1.181	0.453

Part No.	A	B	C	D	E	F
KTI-27118	0.969	0.969	0.728	0.472	1.181	0.453
KTI-27119	1.012	1.012	0.728	0.472	1.181	0.453
KTI-27120	1.071	1.071	0.728	0.472	1.181	0.453
KTI-27121	1.100	1.100	0.728	0.472	1.181	0.453
KTI-27122	1.169	1.169	0.728	0.551	1.181	0.453
KTI-27123	1.248	1.248	0.728	0.551	1.181	0.453
KTI-27124	1.256	1.256	0.728	0.551	1.181	0.453
KTI-27125	1.339	1.339	0.728	0.551	1.181	0.453
KTI-27126	1.398	1.398	0.925	0.630	1.378	0.453
KTI-27210	0.665	0.567	2.028	0.354	2.480	0.453
KTI-27211	0.665	0.657	2.028	0.413	2.480	0.453
KTI-27212	0.665	0.665	2.028	0.472	2.480	0.453
KTI-27213	0.728	0.728	2.028	0.472	2.480	0.453
KTI-27214	0.776	0.776	2.028	0.591	2.480	0.453
KTI-27215	0.827	0.827	2.028	0.591	2.480	0.453
KTI-27216	0.858	0.858	2.028	0.591	2.480	0.453
KTI-27217	0.937	0.937	2.028	0.591	2.480	0.453
KTI-27218	0.969	0.969	2.028	0.709	2.480	0.453
KTI-27219	1.012	1.012	2.028	0.709	2.480	0.453
KTI-27220	1.071	1.071	2.028	0.709	2.480	0.453
KTI-27221	1.100	1.100	2.028	0.709	2.480	0.453
KTI-27222	1.169	1.169	2.028	0.827	2.480	0.453
KTI-27223	1.248	1.248	2.028	0.866	2.480	0.453
KTI-27224	1.256	1.256	2.028	0.945	2.480	0.453
KTI-27225	1.339	1.339	2.028	0.945	2.480	0.453
KTI-27226	1.398	1.398	2.028	0.945	2.480	0.453
KTI-27408	0.665	0.469	2.028	0.295	2.480	0.453
KTI-27410	0.665	0.567	2.028	0.354	2.480	0.453
KTI-27412	0.665	0.665	2.028	0.472	2.480	0.453
KTI-27413	0.728	0.728	2.028	0.472	2.480	0.453
KTI-27507	0.665	0.421	0.728	0.157	1.181	0.453
KTI-27508	0.665	0.469	0.728	0.197	1.181	0.453
KTI-27509	0.665	0.520	0.728	0.197	1.181	0.453
KTI-27510	0.665	0.567	0.728	0.236	1.181	0.453
KTI-27511	0.665	0.618	0.728	0.276	1.181	0.453
KTI-27512	0.665	0.665	0.728	0.315	1.181	0.453
KTI-27513	0.701	0.701	0.728	0.315	1.181	0.453
KTI-27514	0.776	0.776	0.728	0.394	1.181	0.453
KTI-27515	0.827	0.827	0.728	0.394	1.181	0.453
KTI-27516	0.858	0.858	0.728	0.394	1.181	0.453
KTI-27517	0.937	0.937	0.728	0.394	1.181	0.453
KTI-27518	0.969	0.969	0.728	0.472	1.181	0.453
KTI-27519	1.012	1.012	0.728	0.472	1.181	0.453
KTI-27520	1.071	1.071	0.728	0.472	1.181	0.453
KTI-27521	1.100	1.100	0.728	0.472	1.181	0.453
KTI-27407	0.665	0.421	2.028	0.236	2.480	0.453

Chrome Socket Dimensions



Part No.	A	B	C	D	E	F
KTI-27408	0.665	0.457	2.028	0.295	2.480	0.453
KTI-27409	0.665	0.520	2.028	0.295	2.480	0.453
KTI-27410	0.665	0.567	2.028	0.354	2.480	0.453
KTI-27411	0.665	0.657	2.028	0.413	2.480	0.453
KTI-27412	0.665	0.665	2.028	0.472	2.480	0.453
KTI-27413	0.728	0.728	2.028	0.472	2.480	0.453
KTI-27414	0.776	0.776	2.028	0.591	2.480	0.453
KTI-27415	0.827	0.827	2.028	0.591	2.480	0.453
KTI-27416	0.858	0.858	2.028	0.591	2.480	0.453
KTI-27417	0.937	0.937	2.028	0.591	2.480	0.453
KTI-27418	0.969	0.969	2.028	0.709	2.480	0.453
KTI-27419	1.012	1.012	2.028	0.709	2.480	0.453
KTI-27420	1.071	1.071	2.028	0.709	2.480	0.453
KTI-27421	1.100	1.100	2.028	0.709	2.480	0.453
KTI-28110	0.866	0.602	0.846	0.236	1.496	0.650
KTI-28111	0.866	0.650	0.846	0.276	1.496	0.650
KTI-28112	0.866	0.701	0.846	0.315	1.496	0.650
KTI-28113	0.866	0.748	0.846	0.315	1.496	0.650
KTI-28114	0.866	0.799	0.846	0.394	1.496	0.650
KTI-28115	0.866	0.846	0.846	0.394	1.496	0.650
KTI-28116	0.866	0.898	0.846	0.394	1.496	0.650
KTI-28117	0.866	0.945	0.846	0.394	1.496	0.650
KTI-28118	0.866	0.984	0.846	0.472	1.496	0.650
KTI-28119	0.945	1.024	0.846	0.472	1.496	0.650
KTI-28120	0.945	1.094	0.846	0.472	1.496	0.650
KTI-28121	0.984	1.142	0.846	0.472	1.496	0.650
KTI-28122	0.984	1.181	0.925	0.551	1.575	0.650
KTI-28123	1.024	1.240	0.925	0.551	1.575	0.650
KTI-28124	1.024	1.299	0.925	0.630	1.575	0.650
KTI-28125	1.024	1.339	0.925	0.630	1.575	0.650
KTI-28126	1.024	1.378	1.004	0.630	1.654	0.650
KTI-28127	1.024	1.411	1.122	0.709	1.772	0.650
KTI-28128	1.024	1.496	1.122	0.709	1.772	0.650
KTI-28210	0.866	0.602	2.362	0.354	3.012	0.650
KTI-28211	0.866	0.650	2.362	0.413	3.012	0.650
KTI-28212	0.866	0.701	2.362	0.472	3.012	0.650
KTI-28213	0.866	0.748	2.362	0.472	3.012	0.650
KTI-28214	0.866	0.799	2.362	0.591	3.012	0.650
KTI-28215	0.866	0.846	2.362	0.591	3.012	0.650
KTI-28216	0.866	0.744	2.362	0.433	3.012	0.650
KTI-28217	0.866	0.807	2.362	0.433	3.012	0.650
KTI-28218	1.024	1.024	2.362	0.709	3.012	0.650
KTI-28219	1.024	1.024	2.362	0.709	3.012	0.650
KTI-28220	1.096	1.096	2.362	0.709	3.012	0.650
KTI-28221	1.096	1.096	2.362	0.709	3.012	0.650
KTI-28222	1.175	1.175	2.362	0.827	3.012	0.650

Part No.	A	B	C	D	E	F
KTI-28223	1.254	1.254	2.362	0.827	3.012	0.650
KTI-28224	1.254	1.254	2.362	0.945	3.012	0.650
KTI-28225	1.339	1.339	2.362	0.945	3.012	0.650
KTI-28226	1.339	1.339	2.362	0.945	3.012	0.650
KTI-28227	1.417	1.417	2.362	1.063	3.012	0.650
KTI-28228	1.496	1.496	2.362	1.063	3.012	0.650
KTI-28229	1.300	1.570	N/A	1.380	3.070	N/A
KTI-28230	1.300	1.610	N/A	1.420	3.070	N/A
KTI-28232	1.340	1.690	N/A	1.420	3.070	N/A
KTI-28234	1.460	1.850	N/A	1.420	3.070	N/A
KTI-28235	1.460	1.850	N/A	1.650	3.070	N/A
KTI-28236	1.460	1.850	N/A	1.650	3.070	N/A

NOTE: All dimensions are measured in inches.
Accuracy \pm 0.15 inches.