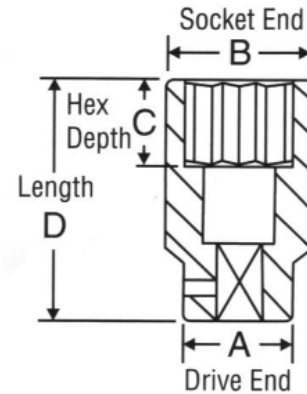
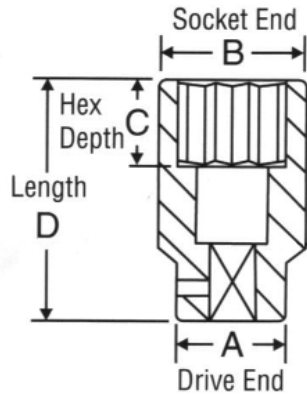


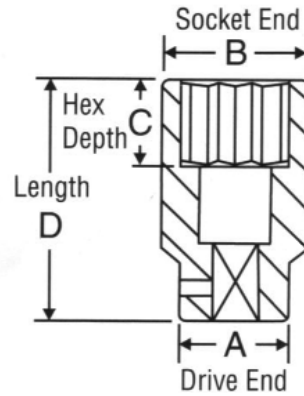
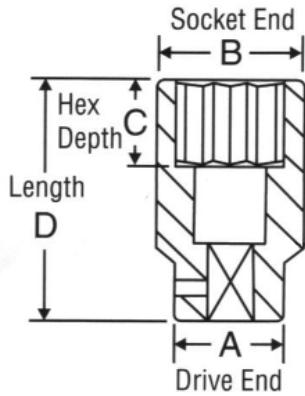
Impact Socket Dimensions



Part No.	A	B	C	D
KTI-32112	0.750	0.570	0.310	1.180
KTI-32114	0.750	0.670	0.350	1.180
KTI-32116	0.750	0.750	0.350	1.180
KTI-32118	0.790	0.790	0.350	1.180
KTI-32120	0.940	0.940	0.430	1.180
KTI-32122	0.940	0.940	0.430	1.180
KTI-32124	1.020	1.020	0.430	1.180
KTI-32126	1.100	1.100	0.510	1.180
KTI-32128	1.180	1.180	0.510	1.180
KTI-32212	0.750	0.570	0.470	2.560
KTI-32214	0.750	0.670	0.980	2.560
KTI-32216	0.750	0.750	0.980	2.560
KTI-32218	0.790	0.790	0.980	2.560
KTI-32220	0.940	0.940	0.980	2.560
KTI-32222	0.940	0.940	0.980	2.560
KTI-32224	1.020	1.020	0.980	2.560
KTI-32226	1.100	1.100	0.980	2.560
KTI-32228	1.180	1.180	0.980	2.560
KTI-32414	0.940	0.670	0.790	3.150
KTI-32416	0.940	0.750	0.790	3.150
KTI-32418	0.940	0.830	0.790	3.150
KTI-32420	0.940	0.910	0.790	3.150
KTI-32422	0.940	0.980	0.790	3.150
KTI-32424	0.940	1.060	1.060	3.150
KTI-32514	0.940	0.670	0.350	2.090
KTI-32516	0.940	0.750	0.470	2.090
KTI-32518	0.940	0.830	0.510	2.090
KTI-32520	0.940	0.910	0.510	2.090
KTI-32522	0.940	0.980	0.510	2.090
KTI-32524	0.940	1.060	0.510	2.090
KTI-33116	0.870	0.790	0.470	1.500
KTI-33118	0.940	0.870	0.470	1.500
KTI-33120	0.980	0.980	0.470	1.500
KTI-33122	1.020	1.020	0.510	1.500
KTI-33124	1.100	1.100	0.510	1.500
KTI-33126	1.180	1.180	0.510	1.500
KTI-33128	1.260	1.260	0.510	1.500
KTI-33130	1.340	1.340	0.510	1.500
KTI-33132	1.420	1.420	0.550	1.500
KTI-33134	1.500	1.500	0.630	1.570
KTI-33136	1.500	1.570	0.630	1.570
KTI-33138	1.500	1.650	0.630	1.570
KTI-33140	1.500	1.730	0.710	1.570
KTI-33142	1.500	1.770	0.830	1.690
KTI-33144	1.500	1.910	1.020	1.970
KTI-33146	1.500	1.990	1.020	1.970
KTI-33148	1.500	2.070	1.020	1.970
KTI-33216	0.870	0.790	0.550	3.070

Part No.	A	B	C	D
KTI-33218	0.940	0.870	0.670	3.070
KTI-33220	0.940	0.940	0.670	3.070
KTI-33222	1.020	1.020	0.670	3.070
KTI-33224	1.100	1.100	0.750	3.070
KTI-33226	1.180	1.180	0.940	3.070
KTI-33228	1.260	1.260	0.940	3.070
KTI-33230	1.340	1.340	0.940	3.070
KTI-33232	1.420	1.420	0.940	3.070
KTI-33234	1.500	1.500	0.940	3.070
KTI-33236	1.500	1.570	2.130	3.070
KTI-33238	1.500	1.650	2.130	3.070
KTI-33240	1.500	1.730	2.130	3.070
KTI-33242	1.500	1.770	2.130	3.070
KTI-33244	1.500	1.910	2.130	3.070
KTI-33246	1.500	1.990	2.130	3.070
KTI-33248	1.500	2.070	2.130	3.070
KTI-33516	1.100	0.750	0.550	2.560
KTI-33518	1.100	0.870	0.550	2.560
KTI-33520	1.100	0.910	0.550	2.560
KTI-33522	1.260	1.020	0.550	2.560
KTI-33524	1.260	1.100	0.550	2.560
KTI-33526	1.260	1.180	0.550	2.560
KTI-33528	1.260	1.260	0.550	2.560
KTI-34132	1.500	1.570	0.630	2.050
KTI-34134	1.500	1.570	0.630	2.050
KTI-34136	1.650	1.650	0.790	2.050
KTI-34140	1.730	1.730	0.790	2.050
KTI-34142	1.730	1.850	0.910	2.200
KTI-34144	1.730	1.970	0.910	2.200
KTI-34146	1.730	2.010	0.910	2.200
KTI-34148	1.730	2.090	0.910	2.200
KTI-34150	1.732	2.205	0.980	2.440
KTI-34152	1.732	2.283	0.980	2.440
KTI-34154	1.732	2.500	0.980	2.440
KTI-34156	1.732	2.560	0.980	2.440
KTI-34158	1.732	2.638	0.980	2.680
KTI-34160	1.732	2.756	1.300	2.760
KTI-34162	1.732	2.677	0.980	2.680
KTI-34164	2.126	2.795	1.300	2.830
KTI-34166	2.126	2.913	1.300	2.830
KTI-34168	2.126	3.031	1.300	2.830
KTI-34172	2.126	3.150	1.300	2.910
KTI-34176	2.126	3.307	1.300	2.950
KTI-34232	1.500	1.570	1.610	3.350
KTI-34234	1.500	1.570	2.050	3.350
KTI-34236	1.650	1.650	2.050	3.350
KTI-34240	1.730	1.730	2.050	3.350
KTI-34242	1.730	1.930	2.050	3.350

Impact Socket Dimensions



Part No.	A	B	C	D
KTI-34244	1.730	1.970	2.050	3.350
KTI-34246	1.730	1.970	2.050	3.350
KTI-34248	1.730	2.010	2.050	3.350
KTI-34250	1.732	2.205	1.570	3.350
KTI-34252	1.732	2.283	1.770	3.350
KTI-34254	1.732	2.500	1.770	3.350
KTI-34256	1.732	2.559	1.770	3.350
KTI-34258	1.732	2.638	1.770	3.350
KTI-34260	1.732	2.756	1.770	3.350
KTI-34262	1.732	2.677	1.770	3.350
KTI-34264	2.126	2.795	1.770	3.350
KTI-35128	2.010	1.540	0.670	2.280
KTI-35130	2.010	1.570	0.670	2.280
KTI-35132	2.010	1.650	0.670	2.280
KTI-35138	2.010	1.890	0.830	2.360
KTI-35148	2.050	2.280	1.020	2.440
KTI-35234	2.010	1.670	1.690	4.250
KTI-35236	2.010	1.690	1.690	4.250
KTI-35240	2.010	1.850	1.690	4.250
KTI-35242	2.010	1.930	1.690	4.250
KTI-37110	0.750	0.590	0.310	1.180
KTI-37111	0.750	0.670	0.350	1.180
KTI-37112	0.750	0.750	0.350	1.180
KTI-37113	0.750	0.750	0.350	1.180
KTI-37114	0.790	0.790	0.350	1.180
KTI-37115	0.870	0.870	0.430	1.180
KTI-37116	0.940	0.940	0.430	1.180
KTI-37117	0.940	0.940	0.430	1.180
KTI-37118	0.980	0.980	0.430	1.180
KTI-37119	1.020	1.020	0.430	1.180
KTI-37210	0.750	0.590	0.980	2.560
KTI-37211	0.750	0.670	0.980	2.560
KTI-37212	0.750	0.750	0.980	2.560
KTI-37213	0.750	0.750	0.980	2.560
KTI-37214	0.790	0.790	0.980	2.560
KTI-37215	0.870	0.870	0.980	2.560
KTI-37216	0.940	0.940	0.980	2.560
KTI-37217	0.940	0.940	0.980	2.560
KTI-37218	0.980	0.980	0.980	2.560
KTI-37219	1.020	1.020	0.980	2.560
KTI-37410	0.940	0.590	0.790	3.070
KTI-37411	0.940	0.670	0.790	3.150
KTI-37412	0.940	0.750	0.790	3.150
KTI-37413	0.940	0.750	0.790	3.150
KTI-37414	0.940	0.830	0.790	3.150
KTI-37415	0.940	0.870	0.790	3.150
KTI-37416	0.940	0.910	0.790	3.150
KTI-37417	0.940	0.980	0.790	3.150

Part No.	A	B	C	D
KTI-37418	0.940	0.980	0.790	3.150
KTI-37419	0.940	1.060	0.980	3.150
KTI-37510	0.940	0.590	0.350	2.090
KTI-37511	0.940	0.670	0.350	2.090
KTI-37512	0.940	0.750	0.470	2.090
KTI-37513	0.940	0.750	0.510	2.090
KTI-37514	0.940	0.830	0.510	2.090
KTI-37515	0.940	0.870	0.510	2.090
KTI-38110	0.870	0.670	0.470	1.500
KTI-38111	0.870	0.910	0.470	1.500
KTI-38112	0.870	0.750	0.470	1.500
KTI-38113	0.940	0.790	0.470	1.500
KTI-38114	0.940	0.870	0.470	1.500
KTI-38115	0.980	0.910	0.470	1.500
KTI-38116	0.980	0.980	0.470	1.500
KTI-38117	1.020	1.020	0.510	1.500
KTI-38118	1.020	1.020	0.510	1.500
KTI-38119	1.100	1.100	0.510	1.500
KTI-38120	1.180	1.180	0.510	1.500
KTI-38121	1.180	1.180	0.510	1.500
KTI-38210	0.870	0.670	0.550	3.070
KTI-38211	0.870	0.710	0.550	3.070
KTI-38212	0.870	0.750	0.550	3.070
KTI-38213	0.940	0.790	0.550	3.070
KTI-38214	0.940	0.870	0.670	3.070
KTI-38215	0.940	0.940	0.670	3.070
KTI-38216	0.940	0.940	0.670	3.070
KTI-38217	1.020	1.020	0.670	3.070
KTI-38218	1.020	1.020	0.670	3.070
KTI-38219	1.100	1.100	0.750	3.070
KTI-38220	1.180	1.180	0.750	3.070
KTI-38221	1.180	1.180	0.940	3.070
KTI-38222	1.260	1.260	0.940	3.070
KTI-38223	1.260	1.260	0.940	3.070
KTI-38224	1.340	1.340	0.940	3.070
KTI-38225	1.420	1.420	0.940	3.070
KTI-38226	1.420	1.420	0.940	3.070
KTI-38227	1.500	1.500	0.940	3.070
KTI-38228	1.500	1.570	2.130	3.070
KTI-38229	1.500	1.570	2.130	3.070
KTI-38230	1.500	1.650	2.130	3.070
KTI-38513	1.100	0.790	0.550	2.560
KTI-38514	1.100	0.870	0.550	2.560
KTI-38515	1.100	0.910	0.550	2.560
KTI-38517	1.260	1.020	0.550	2.560
KTI-38518	1.260	1.020	0.550	2.560
KTI-38519	1.260	1.100	0.550	2.560

NOTE: All dimensions are measured in inches.
Accuracy \pm 0.15 inches.