
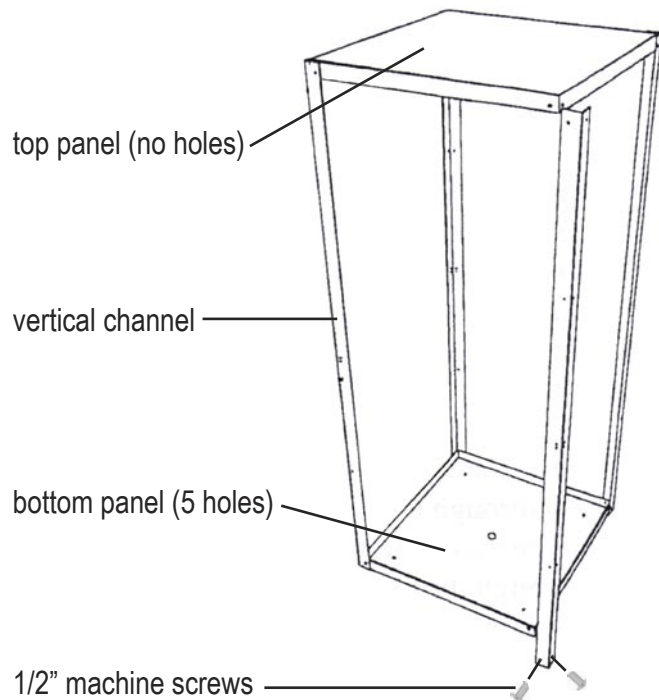


# ROTARY DISPLAY TOOL MERCHANDISER ASSEMBLY INSTRUCTIONS

Please verify hardware contents before beginning display setup.

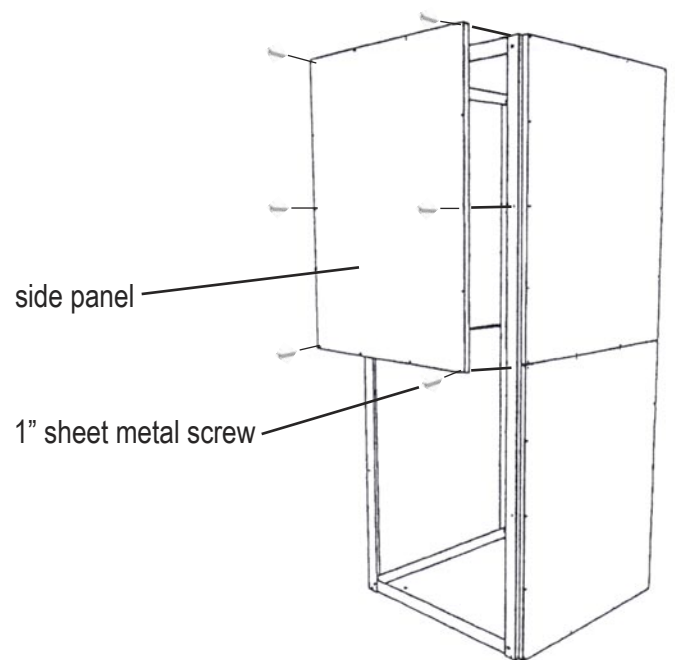
	1-1/4" cap screw qty: 4		1" metal screw qty: 48		5/16" keps nut qty: 4		hitch pin qty: 1
	1/2" machine screw qty: 16		5/16" washer qty: 8		1/4" keps nut qty: 4		casters qty: 4

Attach the four vertical channels to the top and bottom square panels using four 1/2" machine screws for each channel as illustrated in **Figure 1**.



**Figure 1**

Attach three of the four bottom side panels to the vertical channels using six 1" sheet metal screws for each side panel. Attach all four of the top side panels in the same manner. See **Figure 2**.



**Figure 2**

3111 Old Wixom Road  
PO Box 930259  
Wixom, MI 48393  
Ph: 800.762.6002  
Fax: 800.762.1295  
[www.ktoolinternational.com](http://www.ktoolinternational.com)

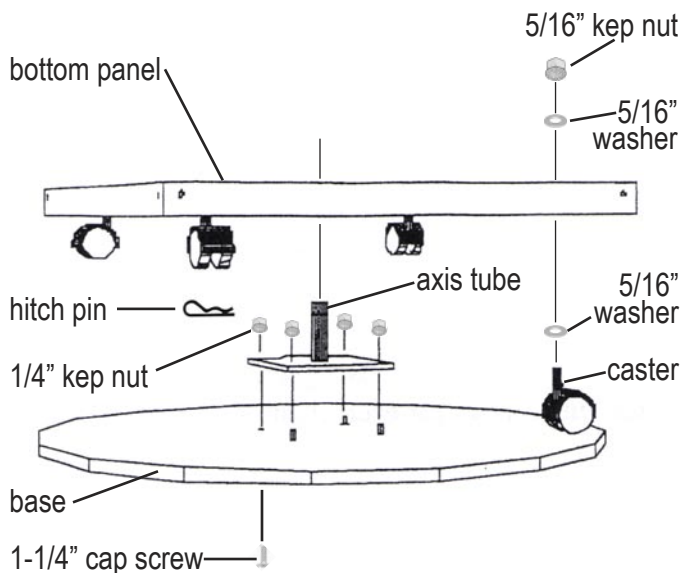


# ROTARY DISPLAY TOOL MERCHANDISER ASSEMBLY INSTRUCTIONS

Attach the four casters to the bottom square panel by placing one of the 5/16" washers onto the threaded stud on each caster and then inserting the threaded stud on the casters up through the small holes in the bottom of the panel and then securing each in place using a 5/16" washer and a 5/16" kee nut. See **Figure 3** below.

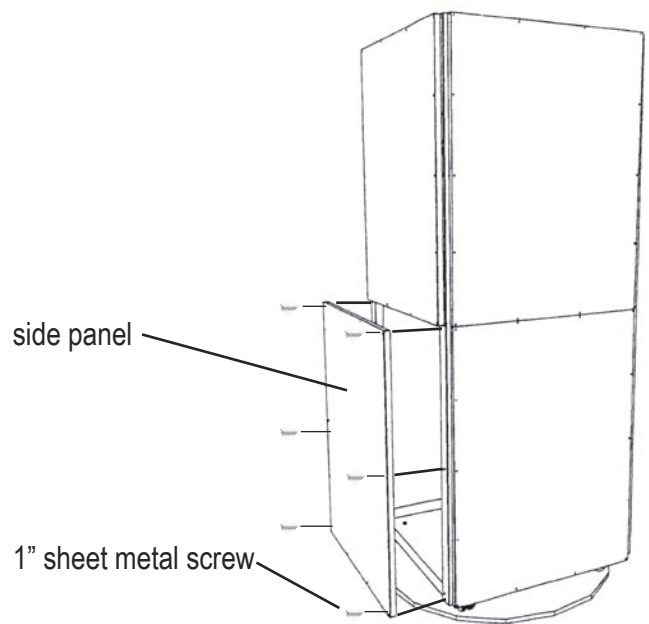
Attach the axis tube to the top of the base by inserting four 1-1/4" long screws up through the bottom of the base and then placing the axis tube plate so that the four screws come through the four holes in the plate. Secure the axis tube in place using the four 1/4" kee nuts as illustrated in **Figure 3**.

Attach the base to the bottom panel by inserting the axis tube up through the center hole in the bottom panel. The casters rest on the base. Insert the hitch pin through the two holes in the axis tube to secure it in place. See **Figure 3**.



**Figure 3**

Attach the last bottom side panel in place using six 1" sheet metal screws as shown in **Figure 4**.



**Figure 4**

3111 Old Wixom Road  
PO Box 930259  
Wixom, MI 48393  
Ph: 800.762.6002  
Fax: 800.762.1295  
[www.ktoolinternational.com](http://www.ktoolinternational.com)

